

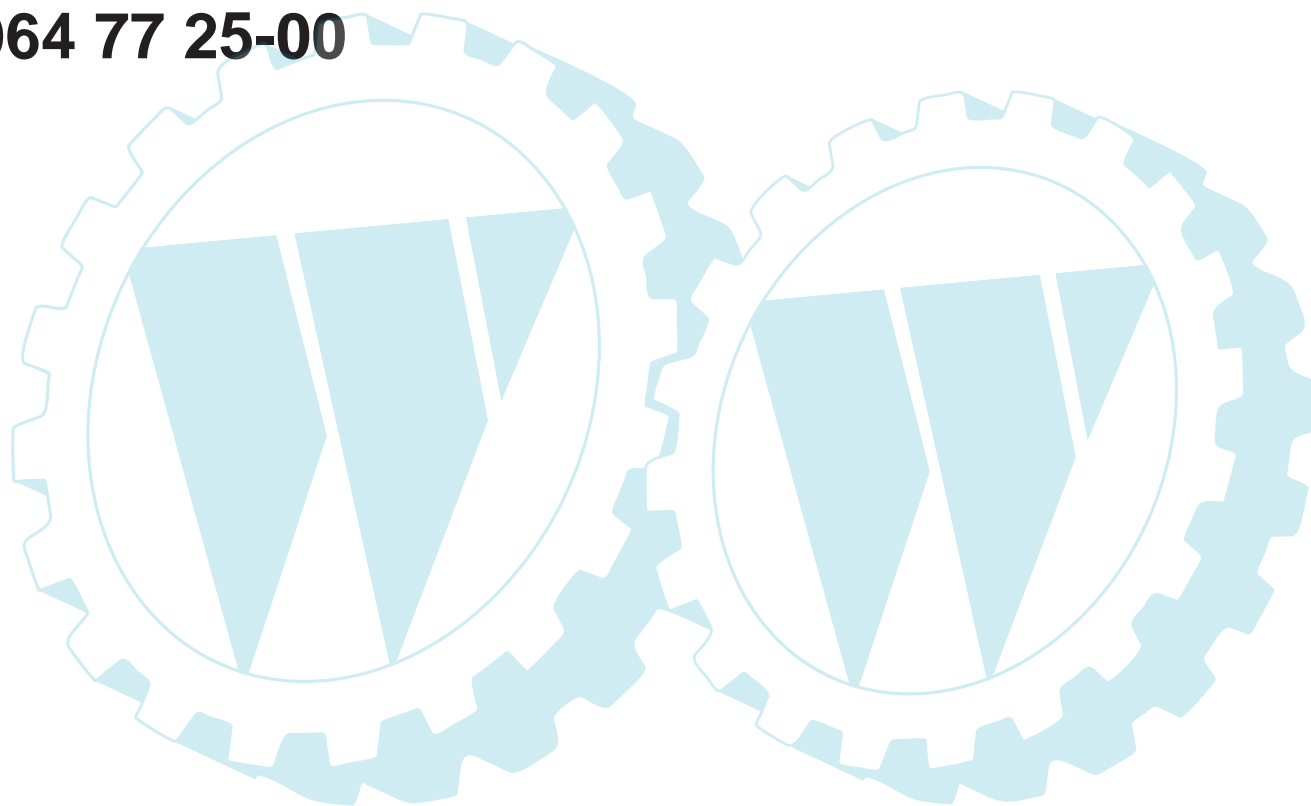
## **ILLUSTRATED PARTS BREAKDOWN**

**BERNARD**

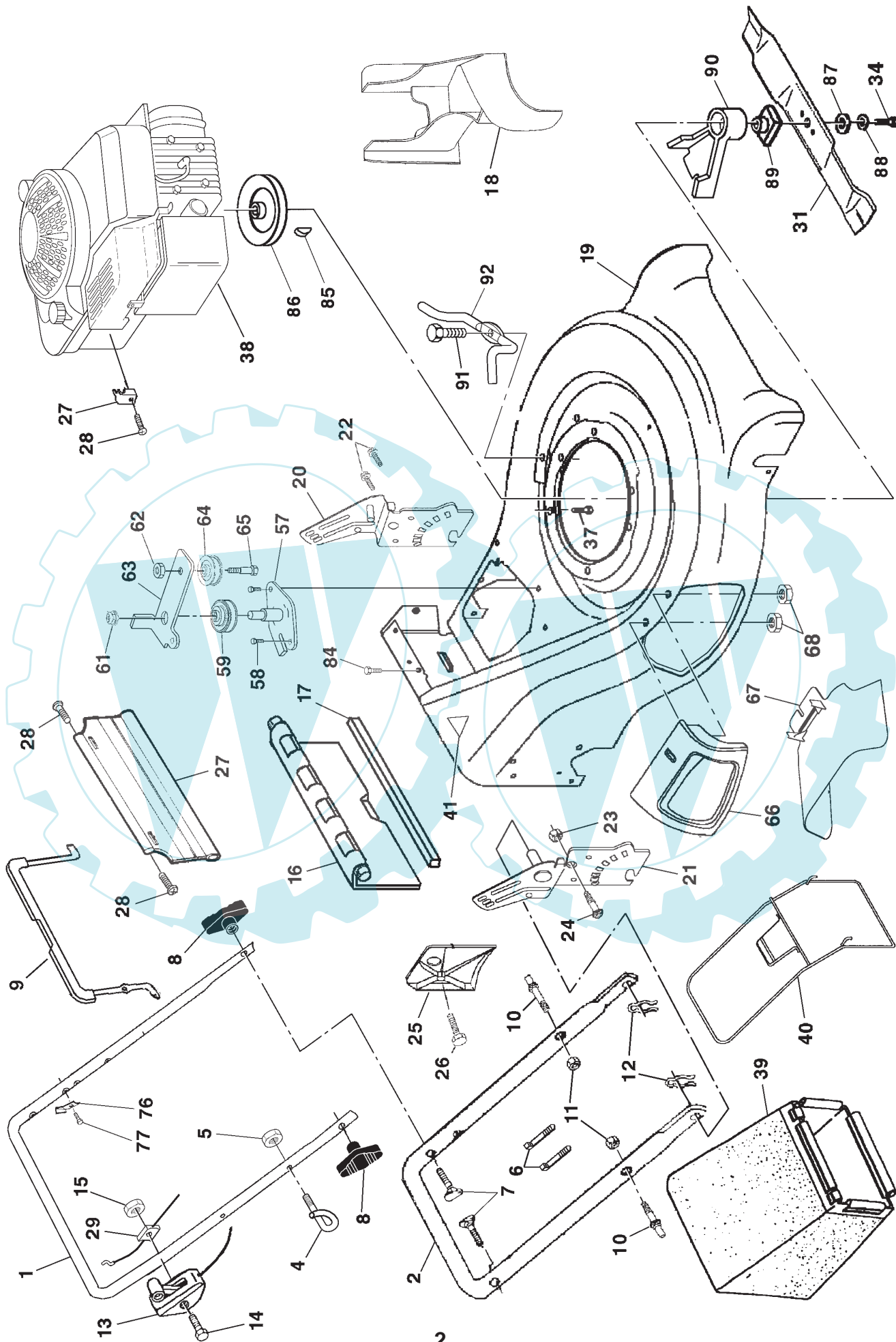
**5.5 HP LAWN MOWER**

**MODEL NO. BL6053T (BL6053TF)**

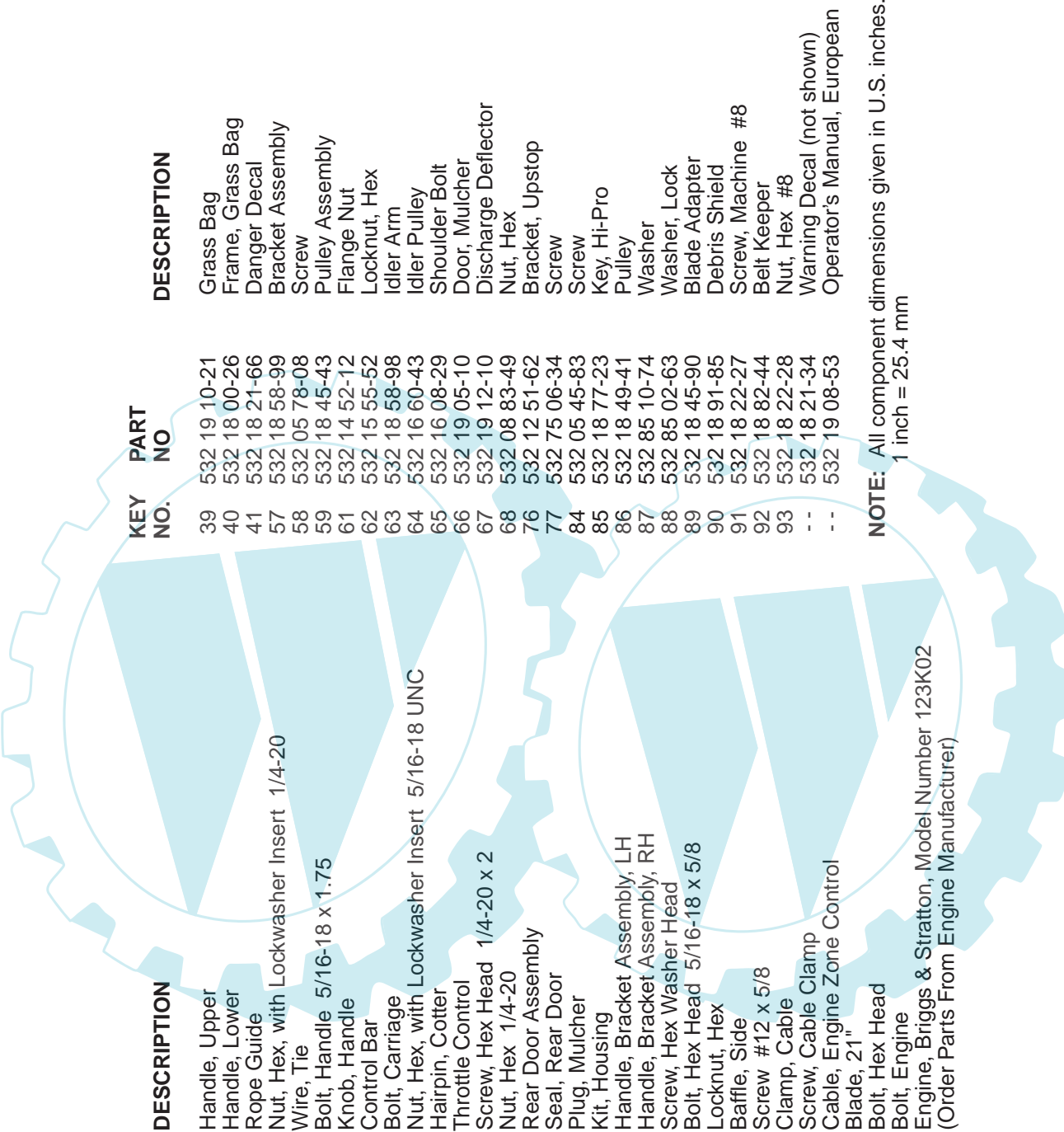
**964 77 25-00**



ROTARY LAWN MOWER--MODEL NUMBER BL6053T (BL6053TF) PRODUCT NUMBER 964 77 25-00



ROTARY LAWN MOWER - MODEL NUMBER BL6053T (BL6053TF) PRODUCT NUMBER 964 77 25-00



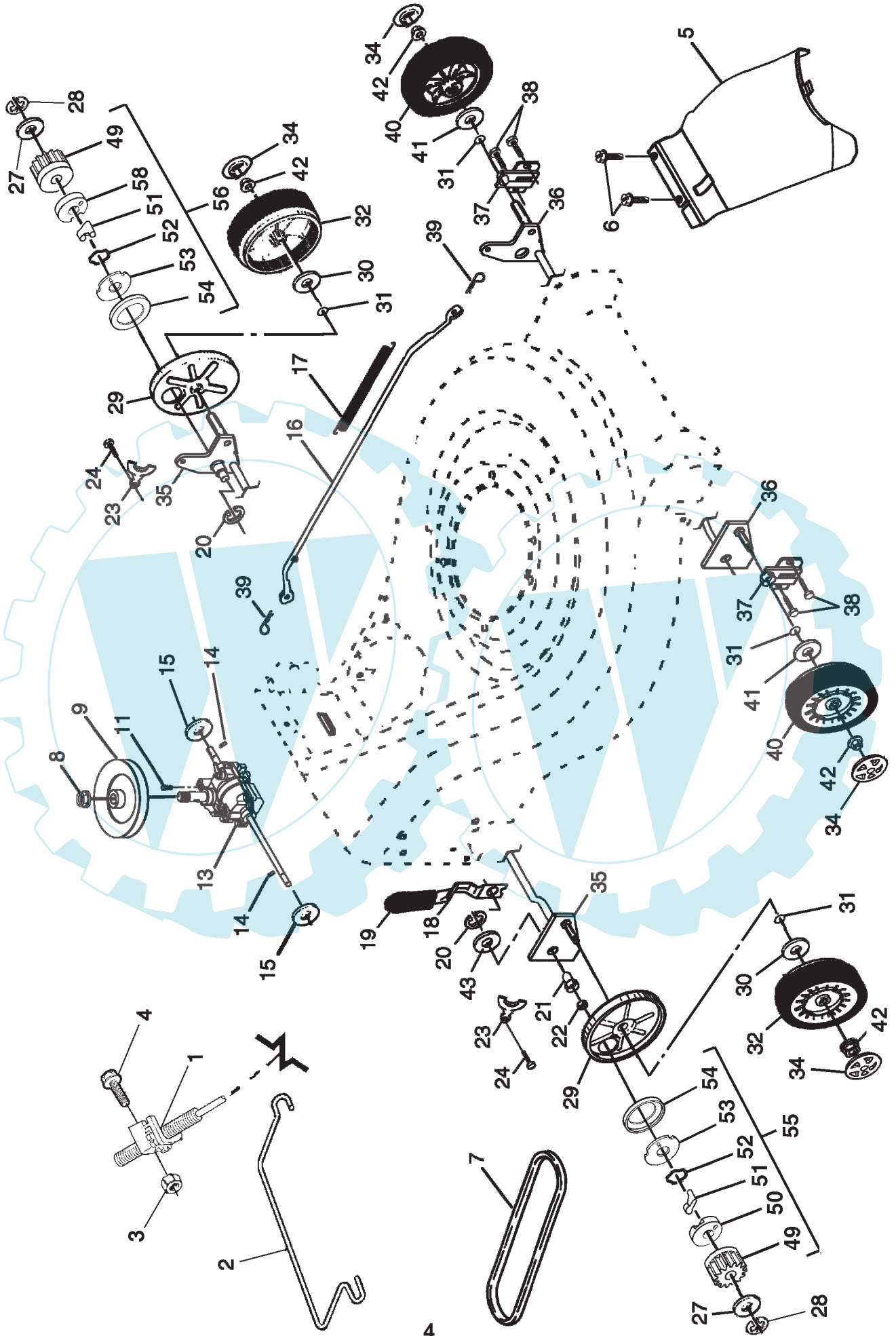
KEY NO.	PART NO.	DESCRIPTION
1	532 19 09-98	Handle, Upper
2	532 16 45-56	Handle, Lower
4	532 17 95-85	Rope Guide
5	532 13 20-04	Nut, Hex, with Lockwasher Insert 1/4-20
6	532 06 64-26	Wire, Tie
7	532 13 19-59	Bolt, Handle 5/16-18 x 1.75
8	532 08 76-92	Knob, Handle
9	532 18 28-10	Control Bar
10	532 16 15-51	Bolt, Carriage
11	873 99 05-00	Nut, Hex, with Lockwasher Insert 5/16-18 UNC
12	532 05 17-93	Hairpin, Cotter
13	532 18 21-54	Throttle Control
14	532 18 33-65	Screw, Hex Head 1/4-20 x 2
15	532 75 11-52	Nut, Hex 1/4-20
16	532 16 20-85	Rear Door Assembly
17	532 18 90-59	Seal, Rear Door
18	532 18 75-35	Plug, Mulcher
19	532 18 60-72	Kit, Housing
20	532 13 93-06	Handle, Bracket Assembly, LH
21	532 16 45-48	Handle, Bracket Assembly, RH
22	532 15 00-78	Screw, Hex Washer Head
23	532 16 31-83	Bolt, Hex Head 5/16-18 x 5/8
24	873 80 05-00	Locknut, Hex
25	532 16 13-33	Baffle, Side
26	532 16 34-09	Screw #12 x 5/8
27	532 11 11-90	Clamp, Cable
28	532 08 38-16	Screw, Cable Clamp
29	532 13 31-07	Cable, Engine Zone Control
31	532 17 50-52	Blade, 21"
34	532 85 10-84	Bolt, Hex Head
37	532 15 04-06	Bolt, Engine
38	- - -	

KEY NO.	PART NO.	DESCRIPTION
39	532 19 10-21	Grass Bag
40	532 18 00-26	Frame, Grass Bag
41	532 18 21-66	Danger Decal
57	532 18 58-99	Bracket Assembly
58	532 05 78-08	Screw
59	532 18 45-43	Pulley Assembly
61	532 14 52-12	Flange Nut
62	532 15 55-52	Locknut, Hex
63	532 18 58-98	Idler Arm
64	532 16 60-43	Idler Pulley
65	532 16 08-29	Shoulder Bolt
66	532 19 05-10	Door, Mulcher
67	532 19 12-10	Discharge Deflector
68	532 08 83-49	Nut, Hex
76	532 12 51-62	Bracket, Upstop
77	532 75 06-34	Screw
84	532 05 45-83	Screw
85	532 18 77-23	Key, Hi-Pro
86	532 18 49-41	Pulley
87	532 85 10-74	Washer
88	532 85 02-63	Washer, Lock
89	532 18 45-90	Blade Adapter
90	532 18 91-85	Debris Shield
91	532 18 22-27	Screw, Machine #8
92	532 18 82-44	Belt Keeper
93	532 18 22-28	Nut, Hex #8
- -	532 18 21-34	Warning Decal (not shown)
- -	532 19 08-53	Operator's Manual, European

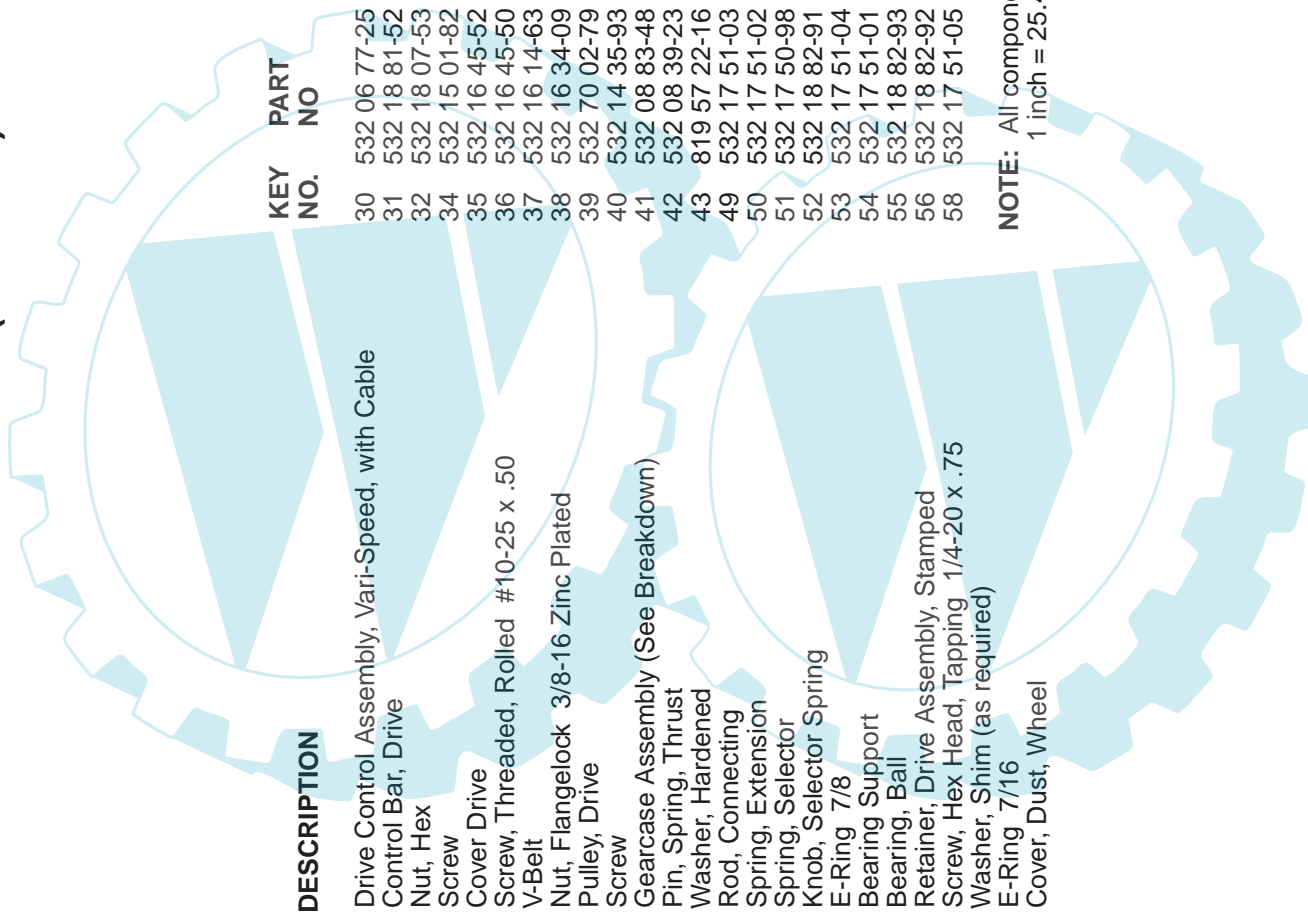
**NOTE:** All component dimensions given in U.S. inches.  
1 inch = 25.4 mm

Engine, Briggs & Stratton, Model Number 123K02  
(Order Parts From Engine Manufacturer)

ROTARY LAWN MOWER - MODEL NUMBER BL6053T (BL6053TF) PRODUCT NUMBER 964 77 25-00



ROTARY LAWN MOWER - MODEL NUMBER BL6053T (BL6053TF) PRODUCT NUMBER 964 77 25-00



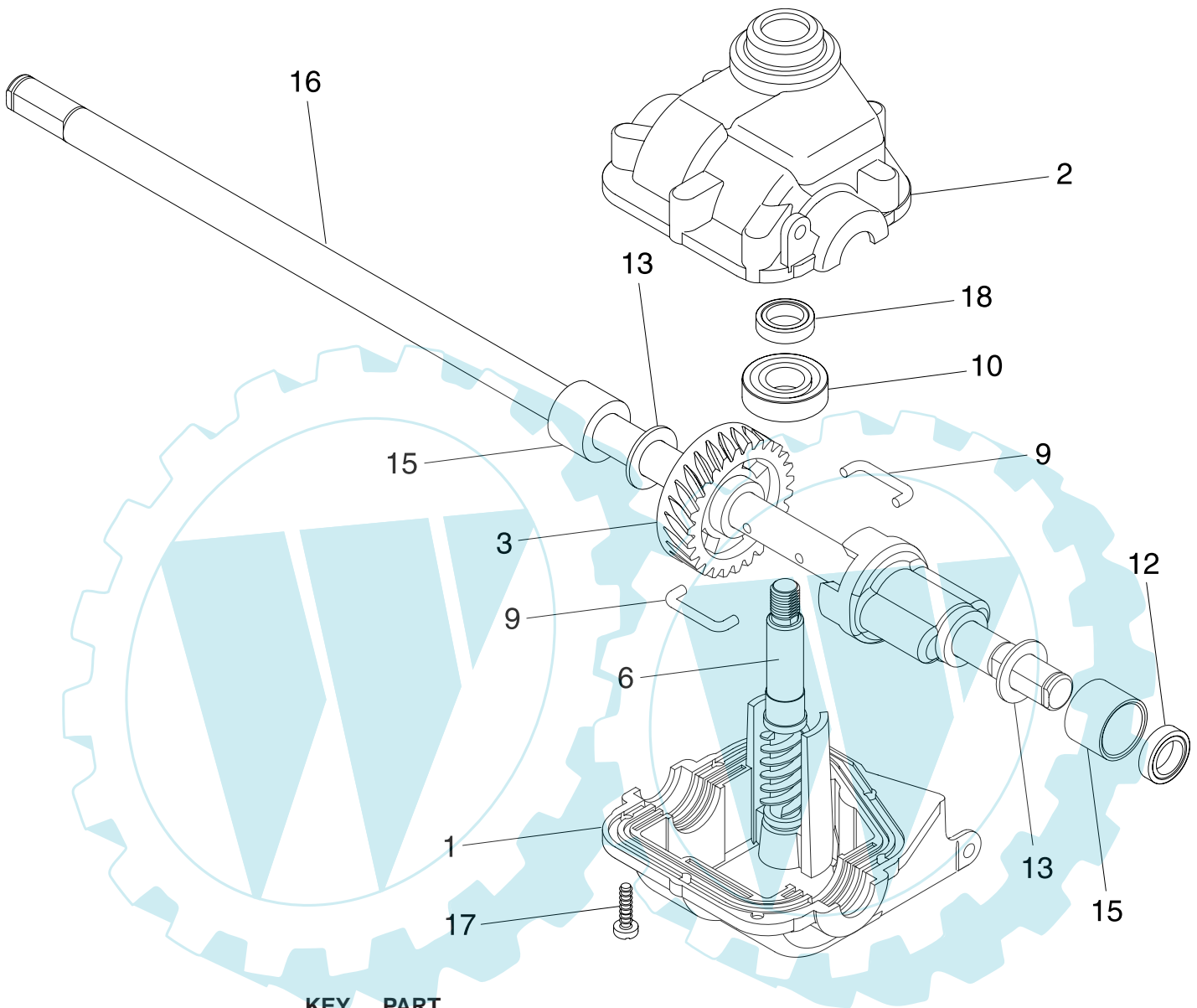
KEY NO.	PART NO.	DESCRIPTION	KEY NO.	PART NO.	DESCRIPTION
1	532 18 91-81	Drive Control Assembly, Vari-Speed, with Cable	30	532 06 77-25	Washer, Flat 1/2
2	532 19 09-99	Control Bar, Drive	31	532 18 81-52	O-Ring
3	532 75 11-52	Nut, Hex	32	532 18 07-53	Wheel 9 x 2
4	532 18 56-81	Screw	34	532 15 01-82	Hubcap
5	532 19 10-01	Cover Drive	35	532 16 45-52	Shaft Assembly, Rear
6	532 75 06-34	Screw, Threaded, Rolled #10-25 x .50	36	532 16 45-50	Shaft Assembly, Front
7	532 18 22-12	V-Belt	37	532 16 14-63	Retainer, Front Shaft
8	532 13 20-10	Nut, Flangelock 3/8-16 Zinc Plated	38	532 16 34-09	Screw #12 x 5/8
9	532 18 94-08	Pulley, Drive	39	532 70 02-79	Clip, Retainer
11	532 18 76-53	Screw	40	532 14 35-93	Wheel 8 x 2
13	532 18 72-13	Gearcase Assembly (See Breakdown)	41	532 08 83-48	Washer, Flat 3/8
14	532 14 53-54	Pin, Spring, Thrust	42	532 08 39-23	Nut, Hex, Flangelock 3/8-16
15	532 05 70-79	Washer, Hardened	43	819 57 22-16	Washer
16	532 16 15-84	Rod, Connecting	49	532 17 51-03	Pinion, Gear
17	532 16 16-02	Spring, Extension	50	532 17 51-02	Retainer, Drive, RH
18	532 16 45-54	Spring, Selector	51	532 17 50-98	Pawl
19	532 19 00-69	Knob, Selector Spring	52	532 18 82-91	Spring, Torsion
20	812 00 00-22	E-Ring 7/8	53	532 17 51-04	Disc, Drive
21	532 16 33-65	Bearing Support	54	532 17 51-01	Seal, Friction
22	532 16 99-11	Bearing, Ball	55	532 18 82-93	Pinion Assembly, RH
23	532 16 45-55	Retainer, Drive Assembly, Stamped	56	532 18 82-92	Pinion Assembly, LH
24	532 05 78-08	Screw, Hex Head, Tapping 1/4-20 x .75	58	532 17 51-05	Retainer, Drive, LH
27	532 05 21-60	Washer, Shim (as required)			
28	812 00 00-58	E-Ring 7/16			
29	532 18 05-04	Cover, Dust, Wheel			

**NOTE:** All component dimensions given in U.S. inches.  
1 inch = 25.4 mm

ROTARY LAWN MOWER- -MODEL NUMBER BL6053T (BL6053TF)

PRODUCT NUMBER 964 77 25-00

GEAR CASE ASSEMBLY - PART NUMBER 532 18 72-13



KEY NO.	PART NO.	DESCRIPTION
1	532 18 75-30	Case, Lower
2	532 18 75-31	Case, Upper
3	532 18 75-32	Gear, 24 Teeth
6	532 18 75-33	Shaft, Input
9	532 18 35-05	Wire, Formed
10	532 18 35-06	Bearing, Ball
12	532 18 35-08	Seal, Output Shaft
13	532 18 35-09	Washer
15	532 18 35-11	Bushing
16	532 18 75-34	Shaft, Output
17	532 18 35-13	Screw
18	532 18 35-14	Seal, Input Shaft

**NOTE:** Use Dow Corning #709 to reseal Gear Case Halves.

**NOTE:** All component dimensions given in U.S. inches.  
1 inch = 25.4 mm